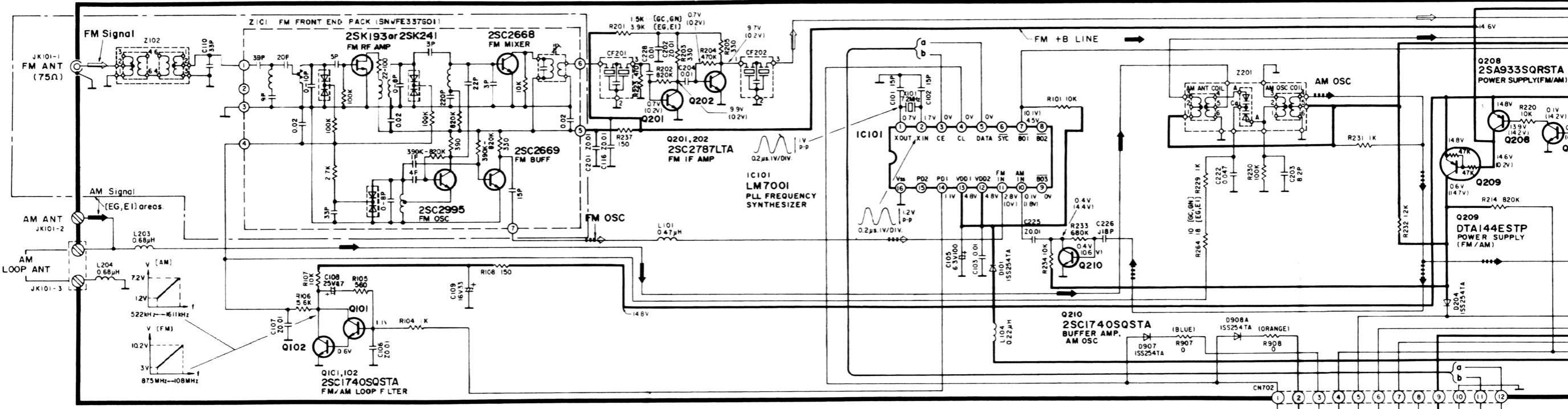
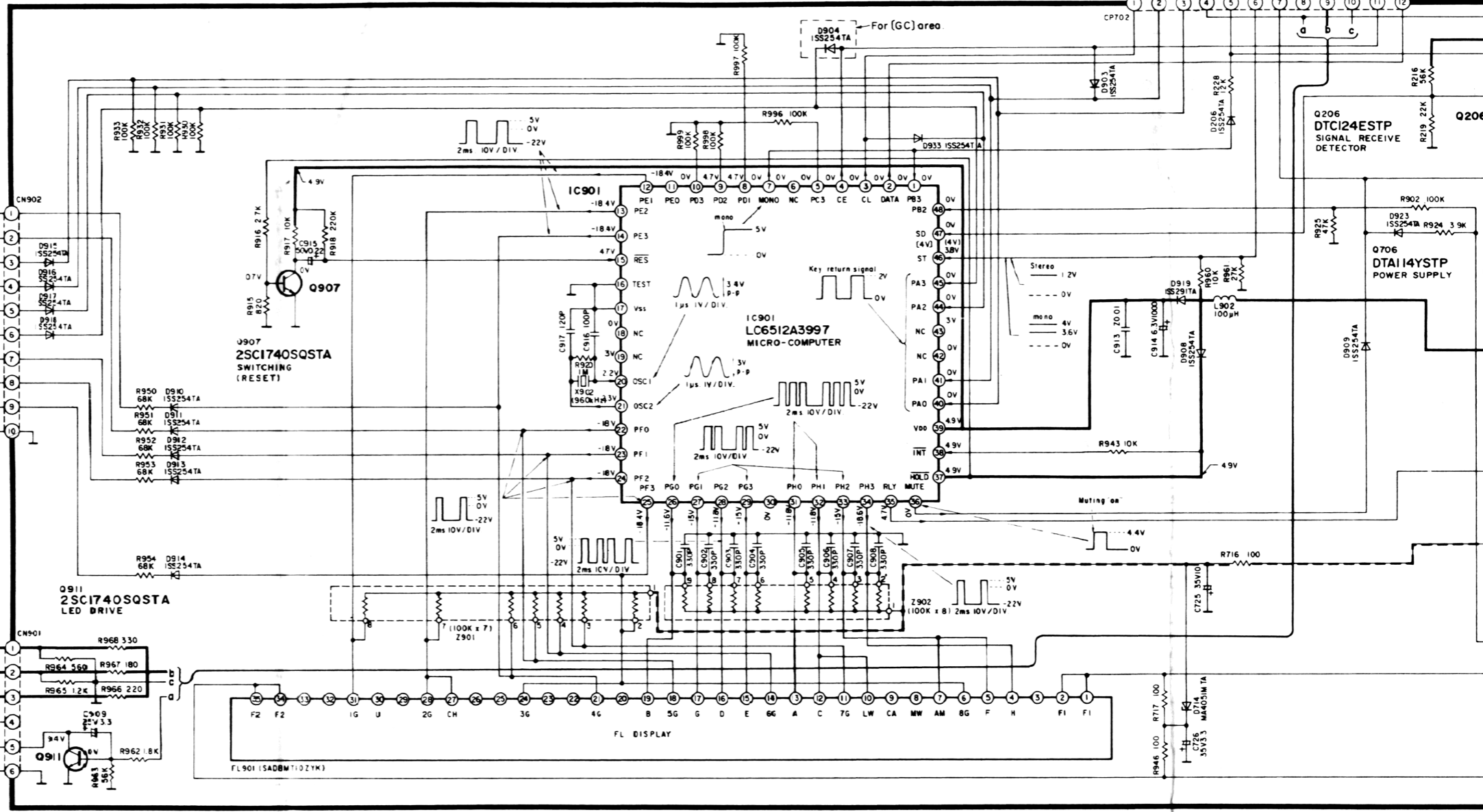
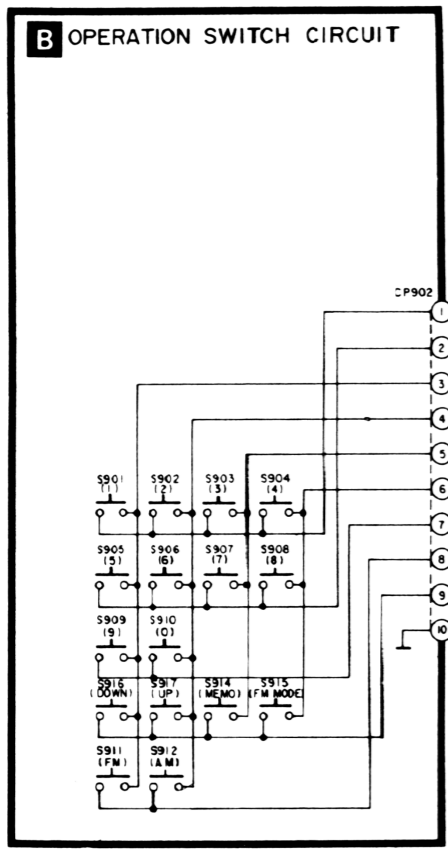


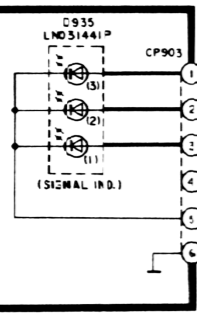
**A MAIN CIRCUIT**



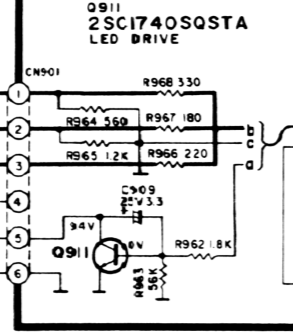
**B OPERATION SWITCH CIRCUIT**

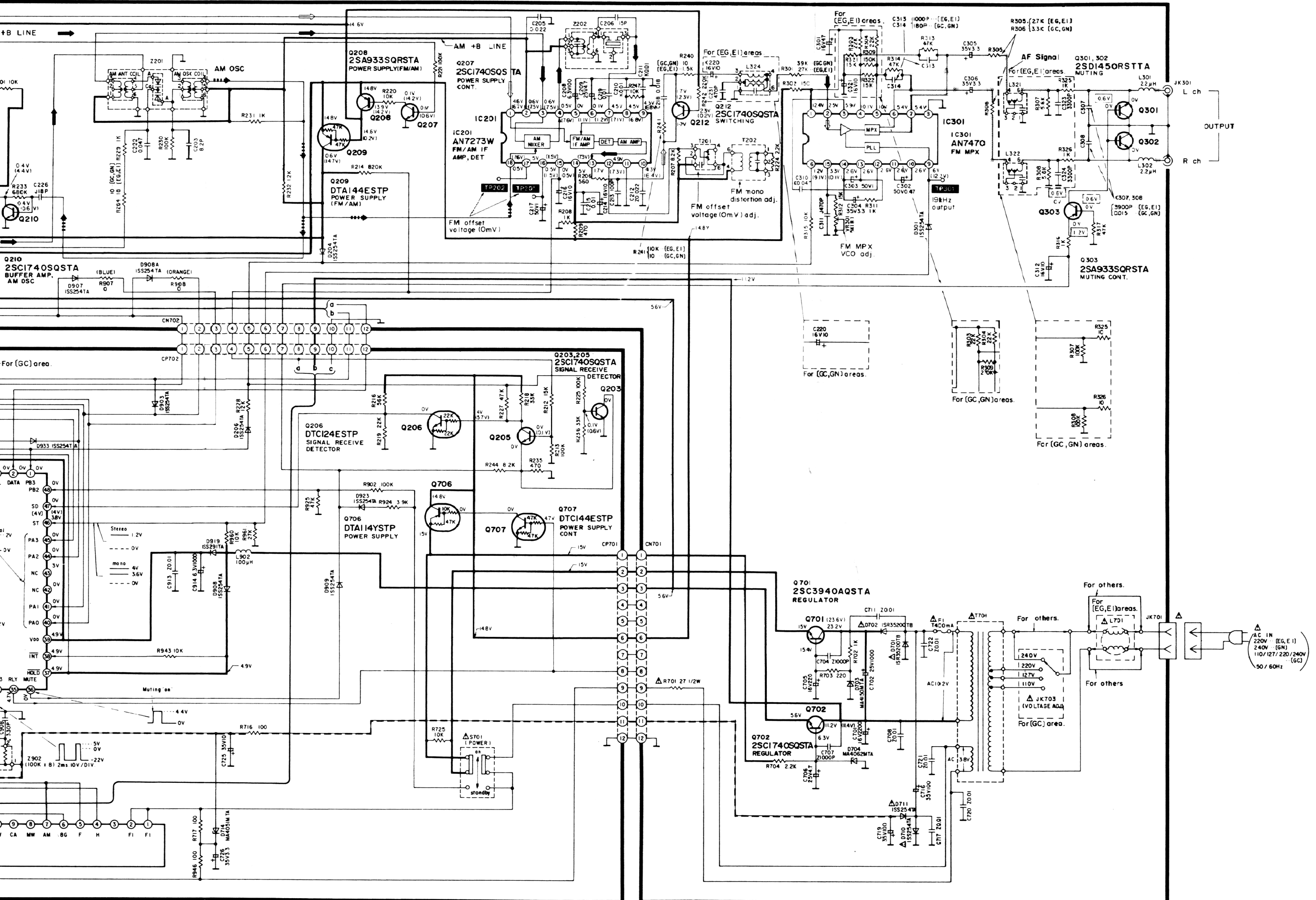


**C LED CIRCUIT**



**D FL DRIVE CIRCUIT**





+B LINE

AM OSC

AM +B LINE

Q208  
2SA933SQRSTA  
POWER SUPPLY(FM/AM)

Q207  
2SC1740SQS TA  
POWER SUPPLY  
CONT.

Q209  
DTA144ESTP  
POWER SUPPLY  
(FM/AM)

IC201  
AN7273W  
FM/AM IF  
AMP, DET

Q212  
2SC1740SQSTA  
SWITCHING

Q301, 302  
2SD1450RSTA  
MUTING

Q303  
2SA933SQRSTA  
MUTING CONT.

OUTPUT  
L ch  
R ch

Q210  
2SC1740SQSTA  
BUFFER AMP,  
AM OSC

For (GC) area

Q203, 205  
2SC1740SQSTA  
SIGNAL RECEIVE  
DETECTOR

Q206  
DTC124ESTP  
SIGNAL RECEIVE  
DETECTOR

Q205  
0V  
101V

Q706  
DTA144YSTP  
POWER SUPPLY

Q707  
DTC144ESTP  
POWER SUPPLY  
CONT.

Q701  
2SC3940AQSTA  
REGULATOR

Q702  
2SC1740SQSTA  
REGULATOR

AC IN  
220V (EG, E1)  
240V (GN)  
110/127/220/240V  
(GC)  
50/60Hz

Stereo 1.2V  
mono 4V  
3.6V  
0V

Muting on

ST01 (POWER)

For others.

For others.

For (GC) area.

For others.

For (EG,E1) areas.

For others.

For (GC) area.

For (GC,GN) areas.

For (GC,GN) areas.

For (GC,GN) areas.

For (GC,GN) areas.

For (GC,GN) areas.

For others.

For others.

For others.

For (GC) area.

For others.

For (EG,E1) areas.

For others.

For (GC) area.

CA MW AM .BG F H FI F1

R946 100 R717 100  
C725 35V10  
C726 0714  
C727 35V3  
MA4051M TA

R945 100 R716 100  
C725 35V10  
C726 0714  
C727 35V3  
MA4051M TA

R946 100 R717 100  
C725 35V10  
C726 0714  
C727 35V3  
MA4051M TA